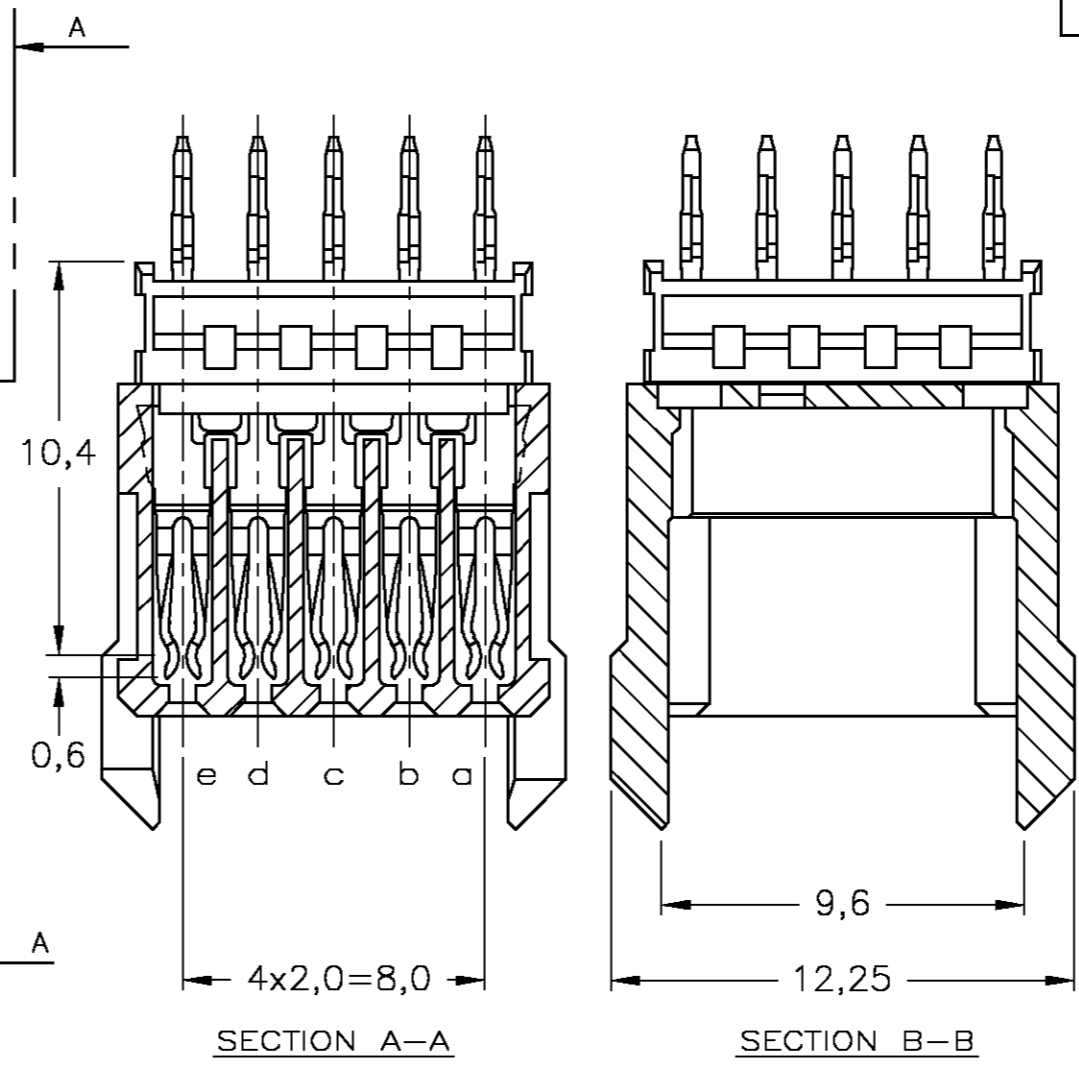
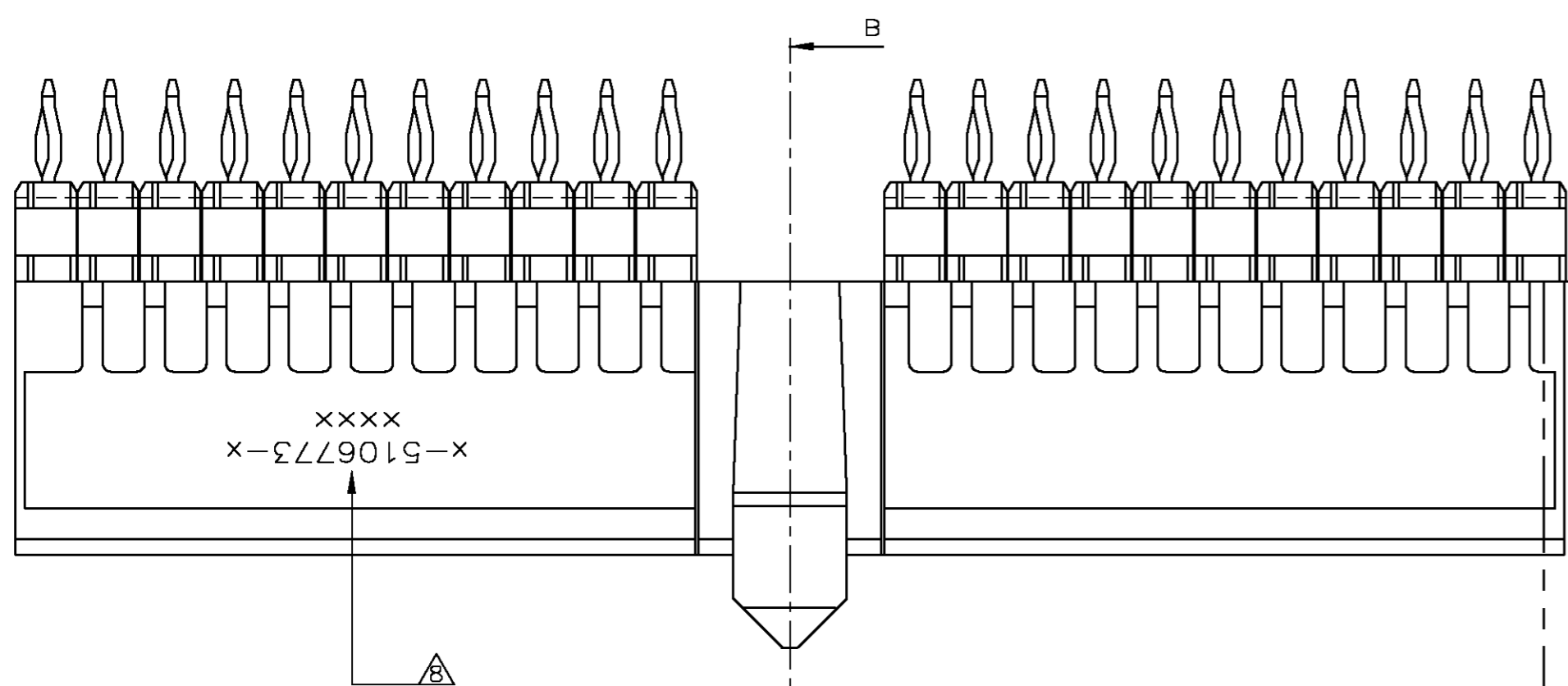
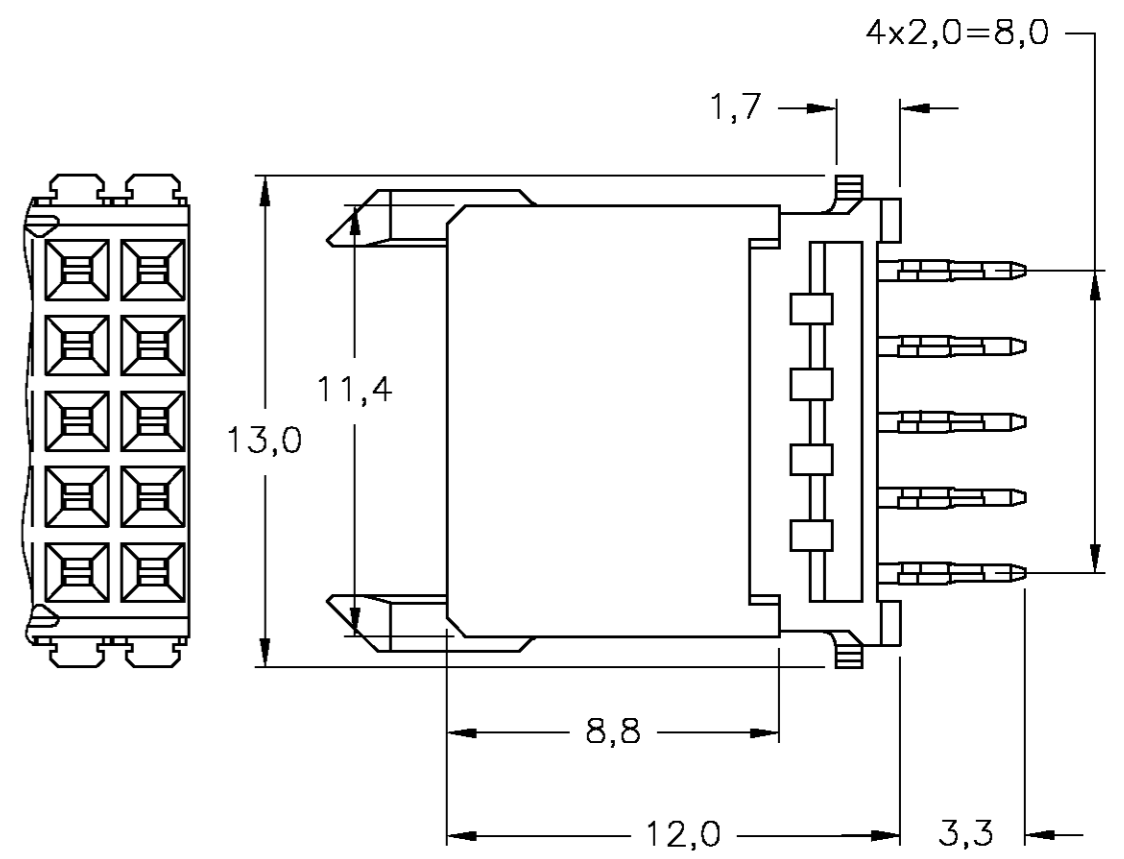
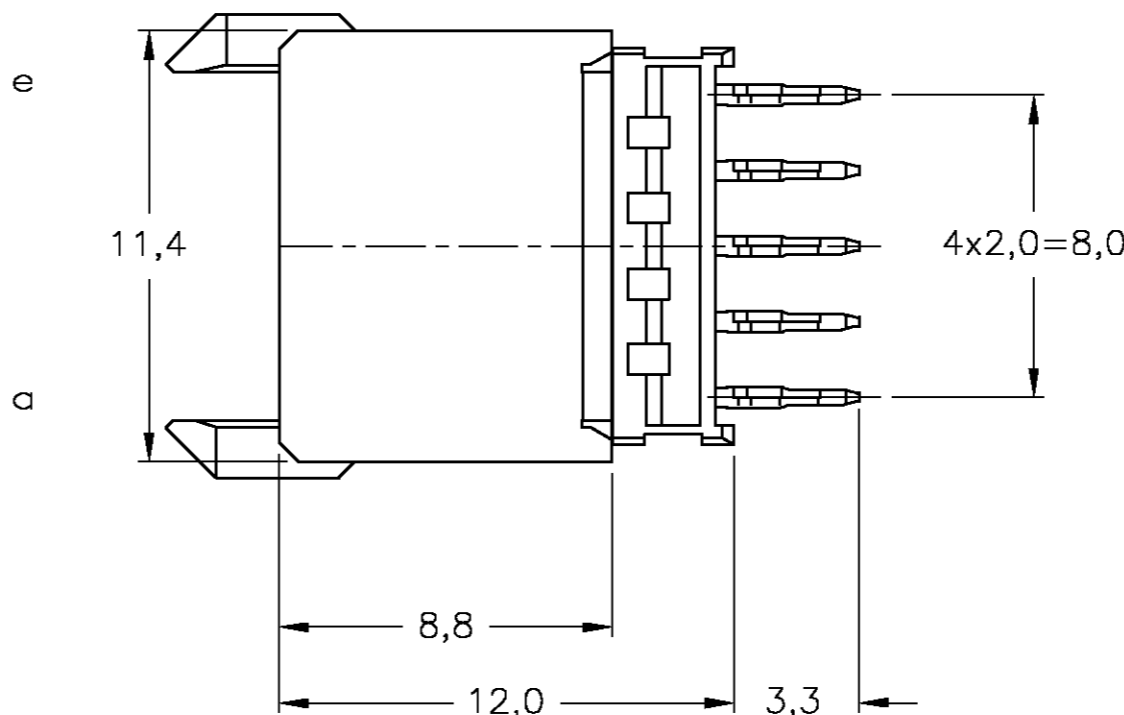
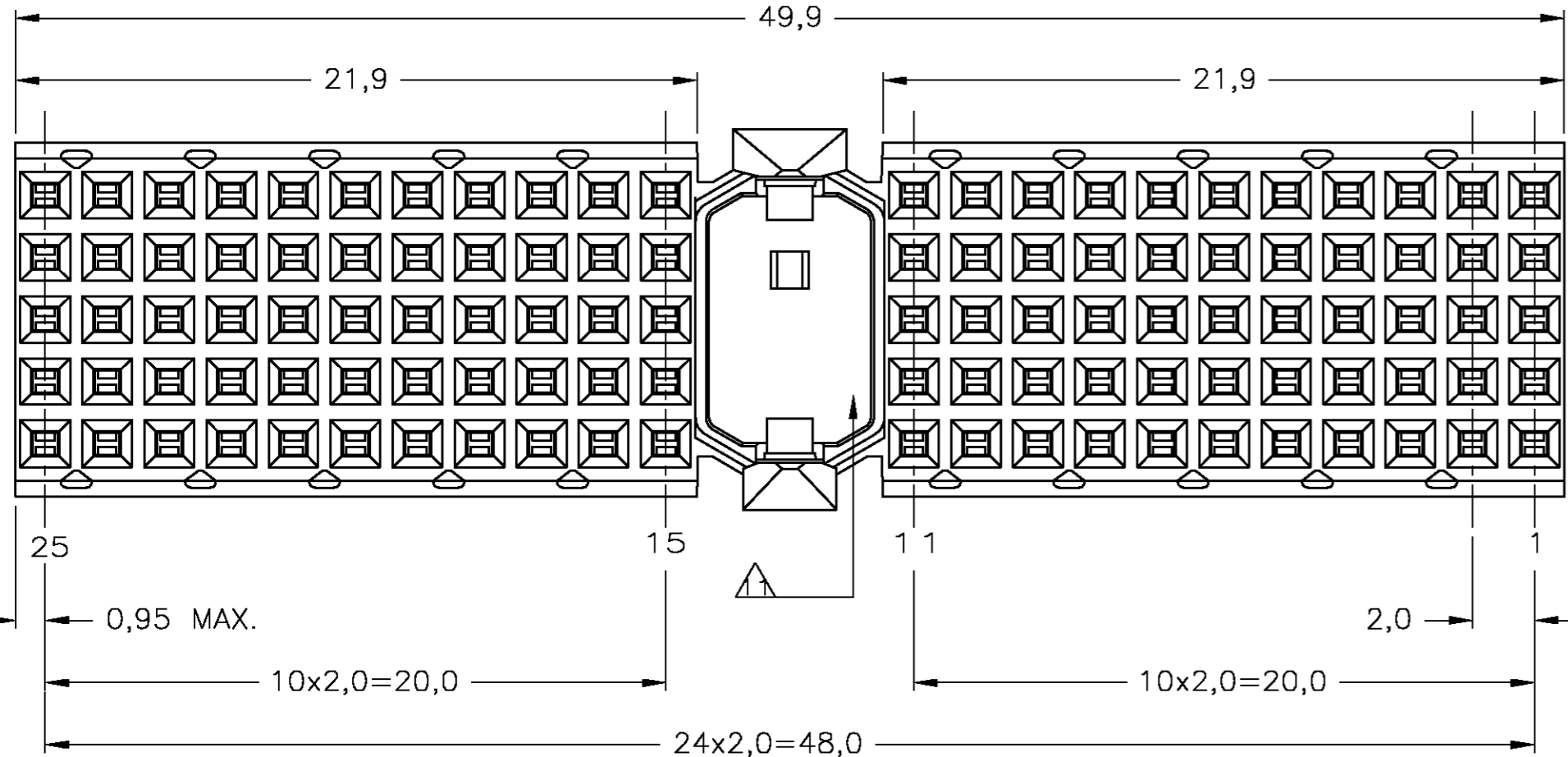


THIS DRAWING IS UNPUBLISHED. RELEASED FOR PUBLICATION  
 © COPYRIGHT BY TYCO ELECTRONICS CORPORATION. ALL RIGHTS RESERVED.

LOC		DIST		REVISIONS			
P	LTR	DESCRIPTION	DATE	DWN	APVD		
B		EH10-0680-05	30MAY05	BSV	BM		

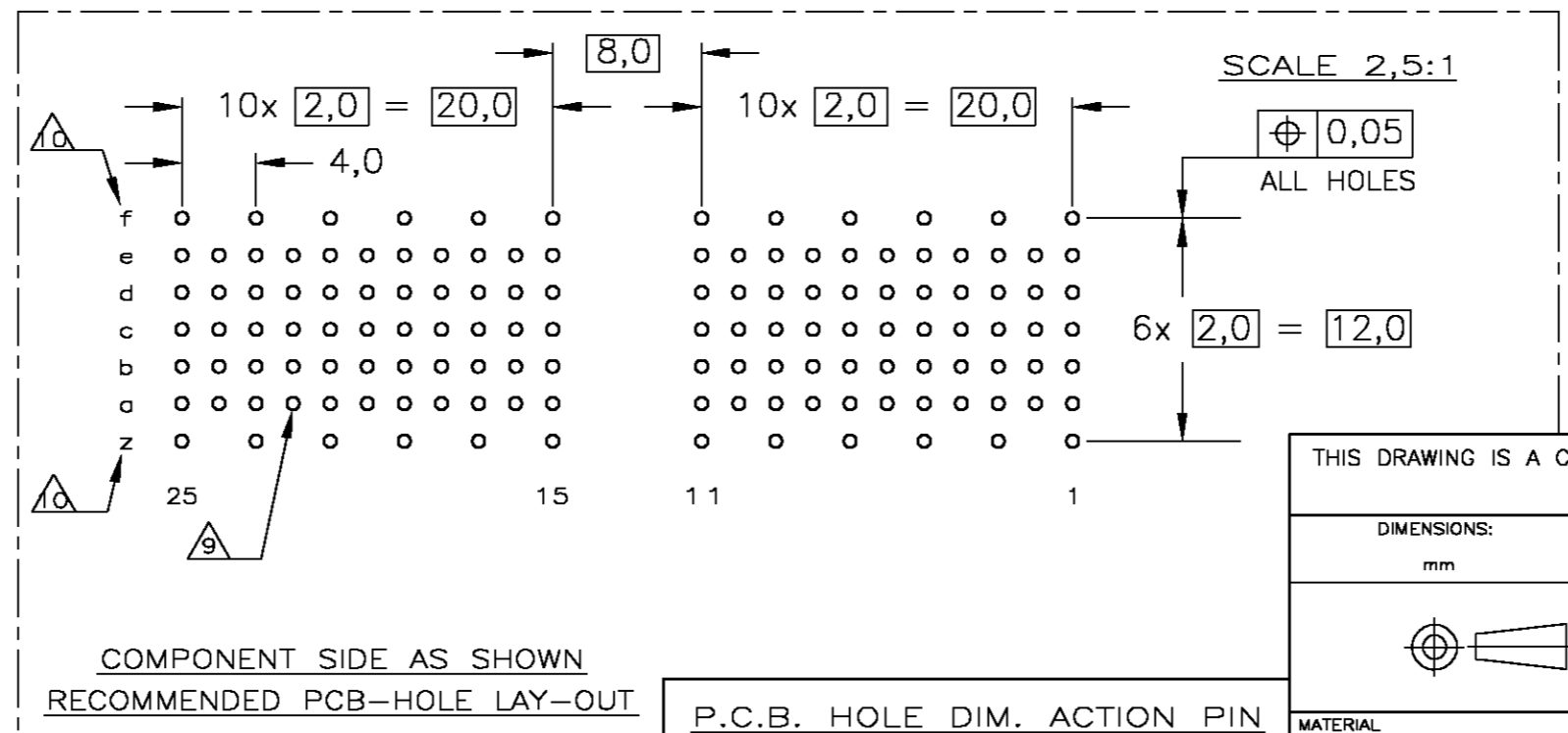


ALTERNATE FORM



NOTES:

- ⚠ MATERIAL CONTACT: PHOSPHORBRONZE  
MATERIAL HOUSING: GLASSFILLED POLYESTER  
UL-RATING 94V0 (GRAY).
- ⚠ GENERAL PLATING SPECIFICATION: UNDERPLATING (ENTIRE CONTACT):  
1,27µm NICKEL MIN. AND ACTION PIN: 0,5µm TIN MIN.  
FOR PLATING OF MATING SURFACES SEE APPLICABLE  
SPECIFICATION REFERENCE FOR EACH DASH NUMBER.
- ⚠ CONFORMS TO ALL TESTING ACCORDING IEC 61076-4-101  
PERFORMANCE LEVEL 2.
- ⚠ CONFORMS TO ALL TESTING ACCORDING IEC 61076-4-101  
PERFORMANCE LEVEL 1.
- ⚠ CONNECTOR TESTED AND QUALIFIED AGAINST TELCORDIA GR-1217-CORE  
QUALITY LEVEL III, CENTRAL OFFICE APPLICATIONS.
- ⚠ CONNECTOR TESTED AND QUALIFIED AGAINST TELCORDIA GR-1217-CORE  
QUALITY LEVEL III, UNCONTROLLED ENVIRONMENT APPLICATIONS.
- ⚠ CONNECTOR LUBRICATED WITH TELCORDIA GR-1217-CORE  
APPROVED LUBRICANT.
- ⚠ CONNECTOR PRINTED WITH PARTNUMBER AND DATECODE.
- ⚠ PLATED-THROUGH HOLES AT 2x2mm SQUARE GRID (110 HOLES).
- ⚠ HOLES IN ROW f AND z FOR POSSIBLE FUTURE USE OF  
GROUND RETURN SHIELD. (SHIELDS NOT YET TOOLED)
- ⚠ AREA RESERVED FOR KEYING PART (BASIC P.N.:100526).



FINISH	MATERIAL	PARTNUMBER
⚠⚠⚠	⚠	1-5106773-9
⚠⚠⚠	⚠	5106773-9
⚠⚠⚠	⚠	5106773-4
⚠⚠⚠	⚠	5106773-1

THIS DRAWING IS A CONTROLLED DOCUMENT.

DIMENSIONS: mm	TOLERANCES UNLESS OTHERWISE SPECIFIED:	DWN K.N.KIRAN 12AUG2004	Tyco Electronics Corporation 's-Hertogenbosch,5222AR-32
		CHK B.MOOIJ 27OCT2004	
		APVD B.MOOIJ 27OCT2004	NAME
			108-19082
			114-19029
MATERIAL		WEIGHT	SIZE A2 CAGE CODE 00779
			DRAWING NO C=5106773
			RESTRICTED TO
			SCALE 5:1 SHEET 1 OF 1 REV B

CUSTOMER DRAWING